

REVEAL YOUR GAME IN A NEW LIGHT

The SL floodlight is a "State-of-the-Art" LED Sports Floodlight featuring industry leading computer designed optics which makes it the perfect choice for both amateur field lighting and professional sports stadiums and arenas.

APPLICATIONS

Professional Sports, College, High School and Parks, Recreation Sports Lighting, and General Area Lighting Applications.



8X 1000W SHOWN

Thanks to TV, Sports is now the most important activity on Earth for a great majority, especially the young generation.

Sports field lighting systems are designed and evaluated based on existing standards that are readily available and generally accepted. These standards are: Illuminating Engineering Society of North America (IESNA Sports and Recreational Area Lighting (IESNA RP-6) Lighting for Exterior Environments (IESNA RP-33) Guide for Photometric Measurements of Area and Sports Lighting Installations (IESNA LM-5) Light Trespass: Research, Results and Recommendations (IESNA TM-1) Our LED lighting technology eliminates Obtrusive Light concerns and our custom optic system delivers the light in a directional fashion where it is needed.

ACTIVE COOLING

The Sentry Sports Lighting SL is only Sports Flood with "ACTIVE COOLING"

MagLev® Fan Technology

By using magnetic levitation, or MagLev, force, these fans feature zero friction with no contact between shaft and bearing. These fans have a 100,000 hours rated operating life, providing an exceptionally cool running LED unit that average operating temperature of 42° Celsius at ambient temperatures.

Life Sync Smart Technology

Under Voltage Protection

For power outage or brownout.

Lumen Depreciation Maintenance

Software automatically adjusts current and forward voltage to LED's to guarantee the integrity of the module and no light degradation for 70,000Hrs.

Module Temperature Protection

Continual self temperature awareness allows our modules to check their temperature in a hot environment and ramp the amperage consumption down in small increments until a safe operating temperature is obtained. They will then continually attempt to ramp amperage up until they reach an equilibrium.

REVEAL YOUR GAME IN A NEW LIGHT

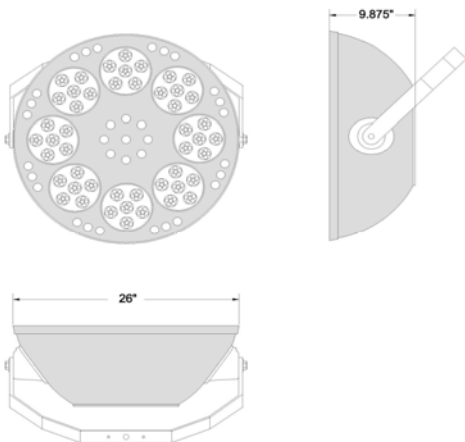
GENERAL SPECIFICATIONS	
Watts/Lumen Output	SLA Series: 500W@4X (62000 lm) 800W@6X (93000 lm) SL Series: 1080@8X (124000 lm) 1132W@9X (136000 lm)
Efficiency	>124 Lumens/Watt
Drive Current	900Ma/Module – 2 Modules @ 1800mA
CCT/CRI**	75@5000K CCT (Standard) 80@5000K 70@5700 – 80-@5700K 70@4100K – 80@4000K – 80@3500K – 95@3000K – 80@2700K
TLCI	>75
L70 Hours	150,000
Operating Temp Range	-40°C To +85°C

**With all LED chips, the Kelvin and the CRI affect the efficacy of the light.

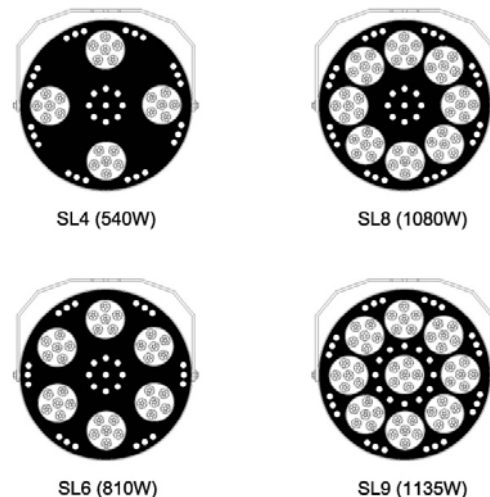
Driver Data (300W Drivers)

Input Voltage	120, 208, 240, 277, 480V (other voltages available)
Output Voltage	24Vdc Constant Voltage
Output Current	0-12.5 A
Max Output Power	320 W
Efficiency	89%
Power Factor	.95 @ 277Vac .90 @ 480Vac
Input Current	0.8 A @ 480Vac
Inrush Current	135A/Driver - 540A for 8X w/4 Drivers 1.2 ms Duration
Operating Temp Range	-35°C to +105°C

Basic Dimensions



STANDARD CONFIGURATIONS

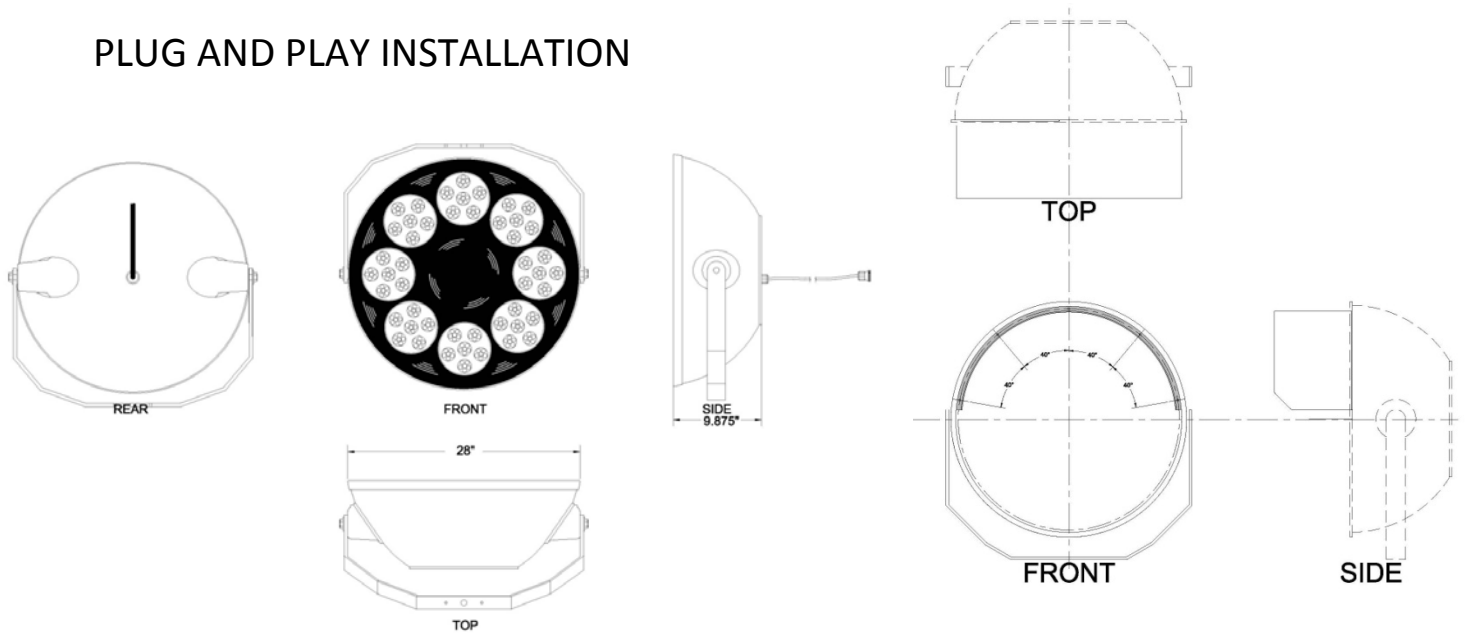


REVEAL YOUR GAME IN A NEW LIGHT

Key LED Features

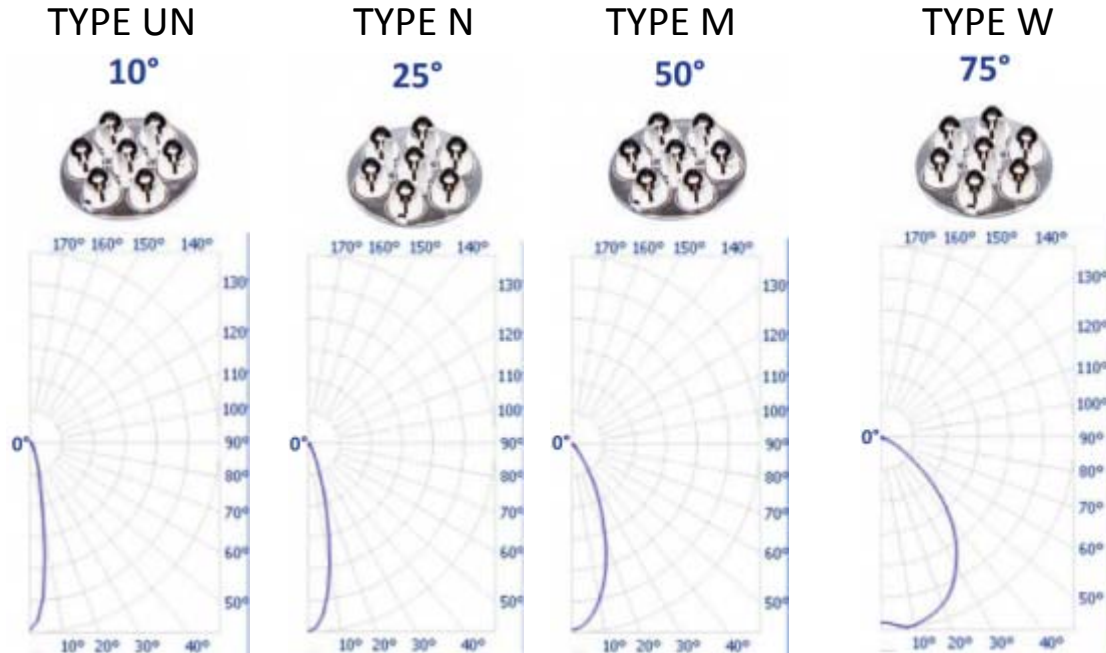
- 10 Year Limited Warranty
- Multiple temperature control values. Over temperature protection, shutdown at critical temperature, and resume operation temperature.
- Soft Start Standard – Instant Start Option Available
- Multiple Output Setting 75W, 85W, 95W, 135W per LED Module (Dip Switch Selectable)
- Current accuracy over the LED operating temperature range +/- 3%.
- 50/60Hz
- Input voltage 120,240, 208, 277 and 480VAC
- 10°, 25°, 50° and 75° Degree optics available

PLUG AND PLAY INSTALLATION

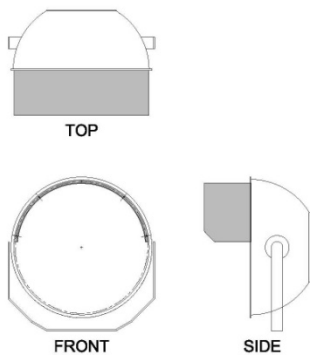


REVEAL YOUR GAME IN A NEW LIGHT

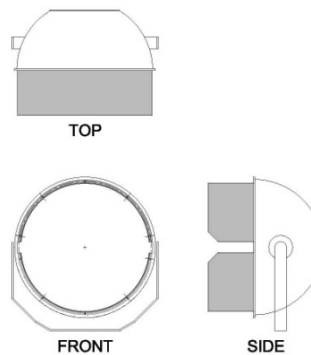
OPTICS PACKAGES



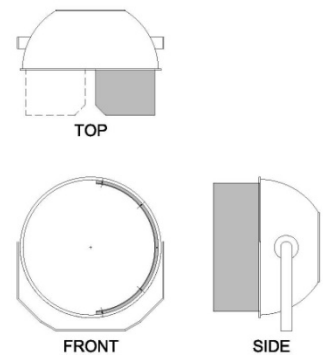
Seven-up optics are designed to perfectly fit the Solstice module's Philips Lumiled Luxeon T LED clusters. Precise lens integration preserves lumens and prevents vibration. Solstice module optics provide a large variety of distribution patterns to meet the needs of each unique application.



Top Visor Option



Top and Bottom Visor Option



Side Mounted Visor Option

Visor Option (Field Installed)

REVEAL YOUR GAME IN A NEW LIGHT

CATALOG NUMBER						
TYPE	NUMBER OF MODULES	VOLTAGE	BEAM SPREAD	CCT	OPTIONS	OUTPUT
X	X	XX	X	XX	XXXX	XX
						HO = HIGH OUTPUT 135W/MODULE (STANDARD)
						BLANK = YOKE MOUNT
						RD = REMOTE DRIVER
						ID = INTEGRAL DRIVER
						V = VISOR ¹
						BOP = BLACK OPTICS PLATE - STANDARD
						T = TENON MOUNT ADAPTOR
						STD = STANDARD HOUSING COLOR - LIGHT GRAY
						DMX = DMX INTERFACE (WIRED)
						WH = HOUSING COLOR - WHITE
						SPC = COLOR - SPECIAL (SPECIFY COLOR)
						57 = 5700K CCT (70CRI)
						50A = 5000K (70 CRI) STANDARD
						50B = 5000K CCT (80 CRI)
						41 = 4100K CCT (70 CRI)
						40 = 4000K CCT (80 CRI)
						10d = ULTRA NARROW BEAM 10°
						25d = NARROW BEAM 25°
						50d = MEDIUM BEAM 50°
						75d = WIDE BEAM 75°
						12 = 120VAC
						20 = 208VAC
						24 = 240VAC
						27 = 277VAC
						48 = 480VAC
						4 = 500W (4X)* 62000lm (SLA)
						6 = 800W (6X)* 93000lm (SLA)
						8 = 1000W (8X)* 124000lm (SL)
						SLA = SPORTS FLOOD – LED ARENA
						SL = SPORTS FLOOD – LED STADIUM

EXAMPLE:

MODEL NUMBER: _____
SLA 6 20 50d 50A BOP STD HO

DESCRIPTION: _____
 SPORTS FLOOD – LED ARENA , 6 DISK, 800W, 208V, 50° MEDIUM BEAM, 208VAC,
 YOKE MOUNT, BLACK OPTIC PLATE, STANDARD COLOR,

1. Visor is Field Mounted and can be combined with second visor For top-bottom or side-side mounting.

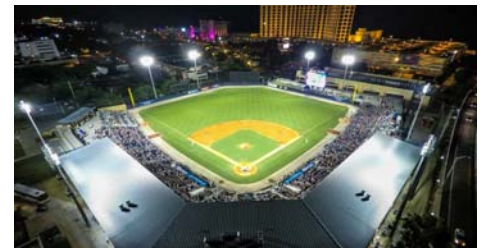
***MAXIMUM OUTPUT RATING – CONSULT FACTORY FOR OTHER OUTPUT RATINGS.**



Contact us at

Sentry Sport Lighting

3648 Vann Road Suite 100
 Birmingham, Alabama 35235
 (866) 824-0665



SPECIFICATIONS ARE SUBJECT TO CHANGE WITHOUT NOTICE
 062416-1